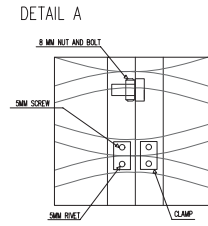


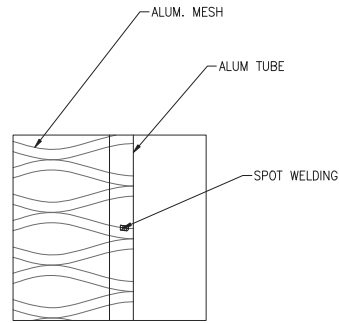
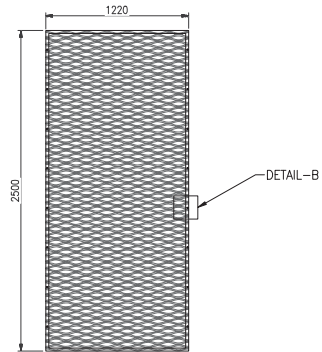
SHEET SIZE:1220X2500X1.8MM THICK

(TYPE-3) DETAILS OF FIXING EXPANSION MESH



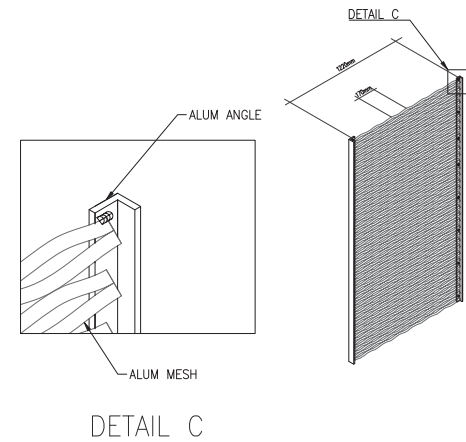
* SUB CONTRACTOR SHALL PROVIDE & SUBMIT SHOP DRAWING FOR FIXATION DETAIL.

SHEET SIZE:1220X2500X1.8MM THICK



DETAIL-B

ALUMINIUM MESH FIXING DETAILS TYPE #01



ALUMINIUM MESH FIXING DETAILS TYPE #02